

Adhesive Labels – 13,56MHz

The iDTRONIC RFID Adhesive labels have blank matt paper on the top, which protects the chip and the antenna underneath. Thanks to their permanent adhesive layer with release paper (on the backside of the label), they can be easily fixed to the items. They can be personalized at the customer site with a HF printer or can be ordered pre-personalized from iDTRONIC, for example with barcode.

They are available with different IC technologies (13,56MHz) and can be produced in multiple sizes. The delivery form is single die cuts or on reel.




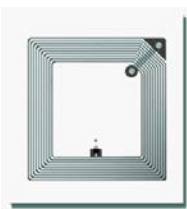
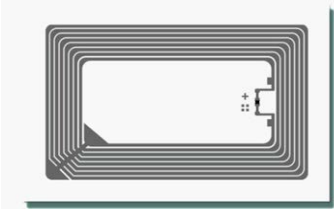
Applications:

- Supply chain
- Warehouse / Logistics
- Document identification
- Book identification

Product specification:

Thickness:	0,5mm (average)
Top cover layer:	White PET Overlay White Paper Overlay as an option
Adhesive layer :	Permanent adhesive with release paper
Carrier :	Siliconized paper
Packaging:	singularized or on reel
Options (on request):	- Printing of logo - Barcode - Serial number / UID Number

Available label dimensions and antenna designs:

Smartlabel ROUND	Smartlabel SQUARE	Smartlabel RECTANGLE
		
Sizes : <ul style="list-style-type: none"> ⌀ 27mm ⌀ 30mm ⌀ 58mm 	Sizes : <ul style="list-style-type: none"> 38x38mm 45x45mm 50x50mm 55x55mm 58x58mm 	Sizes : <ul style="list-style-type: none"> 30x26mm 44x20mm 45x28mm 70x40mm 82x23mm 85,6x54mm

Available 13,56MHz systems:

IC Type	ISO	Antenna	Order No.
NXP MIFARE® Classic 1K	14443A	Alu etched	SL-MFS50-xx
NXP MIFARE® Mini	14443A	Alu etched	SL-MFS20-xx
NXP MIFARE Ultralight®	14443A	Alu etched	SL-MFUL-xx
NXP I-Code SLI / SLI-S / SLI-X	15693	Alu etched	SL-ICSLI-xx
TI Tag-it HFI	15693	Alu etched	SL-HFI-xx

Other IC types available on request